

Supplementary  
**ILLUSTRATED LIST**  
of  
**Genuine Auto-Lite Parts**  
for  
**HUDSON and ESSEX 1929**

UNITS USED

Hudson		Essex	
Generator	GAB-4008	Generator	GAM-1101
Circuit Breaker	CB-4014	Circuit Breaker	CB-4016
Distributor	IGA-4054	Distributor	IGB-4022
Ignition Coil	IG-4065	Ignition Coil	IG-4065
Starting Motor	MUA-4001	Starting Motor	MZ-4014
Starting Switch	MU-1065	Starting Switch	MU-2208S

NOTICE - See instructions on next page for the selecting and ordering of parts.

THIS IS IMPORTANT

**The Electric Auto-Lite Company**  
Toledo, Ohio

Printed in U. S. A.

## IDENTIFYING PARTS WANTED

Under "UNITS USED" on the front cover are listed the units which comprise the complete Auto-Lite equipment for the model under which it is listed for 1929. In this supplement are given detailed lists for only those units which are new. Detailed lists for the other units will be found in the previously published "Illustrated Lists."

The first column on each page shows the illustration number, the second column the Auto-Lite part number and the third column the name of the part.

The generator and motor parts lists are divided into sections such as "Frame and Field Assembly," "Commutator End Head Assembly," "Drive End Head Assembly," etc. Each section contains not only the assembly named in the heading but also the parts used with that assembly. Also parts included in an assembly are indented so that if all assembly is ordered all parts indented below the assembly named are included.

Parts should always be identified from the printed list using the illustrations only to verify the part as the right one. Parts illustrations can be found by referring to the "Ill. No." column, turning to the plate shown by the letter or number to the left of the dash and the item shown by the number or letter to the right of the dash. The parts which do not show an illustration number are not illustrated, these parts being easily recognized by their name.

## TO ORDER PARTS

First, be sure you have the right parts list for the unit for which the part is wanted. Auto-Lite generators and motors carry the type and assembly number stamped on the name plate riveted to the head band assembly and the distributors show the type and assembly number on the name plate riveted to the housing.

Second, locate in the correct list the particular parts wanted.

Third, show on your order the car make, model and number; the unit type letters and assembly number; and the Auto-Lite part numbers as given in the column immediately preceding the part name and headed "A-I. No."

If these instructions are followed no difficulty should be experienced in ordering parts and orders can be filled promptly by Official Auto-Lite Service Stations.

---

## ARMATURE EXCHANGE

The Company is maintaining an Armature Exchange Plan which provides a very liberal allowance on inoperative armatures tendered in exchange.

### TO THE CAR OWNER

We recommend that you insist upon receiving a genuine Auto-Lite Armature (not rewind) thereby relieving yourself of added expense and inconvenience.

### TO THE CAR DEALER AND REPAIR MAN

Do not jeopardize your standing in your community by using questionable merchandise. Insist on genuine parts--more especially Armatures. You can buy genuine factory Armatures (not rewind) at greatly reduced exchange prices from Official Auto-Lite Service Stations located everywhere.

AUTO-LITE SYSTEM

---

DISTRIBUTOR IGA-4058

Ill. No.	A-L No.	Name of Part	Ill. No.	A-L No.	Name of Part
4A-18	IB-72	Grounding Wire Assembly	4A-6	IB-24	Breaker Point Screw
4A-21	IB-76A	Washer	4A-4	IG-1298	Condenser Assembly
4A-24	IB-79	Pin	4A-5	10-2469B	Breaker Arm and Spring Assembly
4A-23	IB-80	Drive Pin		10-1910	Breaker Arm Spring
4A-22	IB-98	Adapter Housing		IG-2469A	Breaker Arm Assembly
	IG-94	Secondary Wire Terminal	4A-9	10-1917	Primary Terminal Post Assembly
4A-13	IG-313	Shaft Thrust Washer		10-2908	Breaker Plate Part Assembly
4A-25	IG-495	Cam Sleeve Felt Wick	4A-7	2X-55	Contact Bracket Holding Screw (No. 8-32 x 3/8" Rd. Hd.)
4A-20	10-743	Advance Control Arm		X-195	No. 8 Lock Washer
4A-2	IG-1320	Rotor		2X-873	Condenser Lead Screw (No. 6-32 x 3/16" Fill. Head)
4A-1	IG-1323	Distributor Cap Assembly		2X-884	Condenser Mounting Screw (No. 8-32 x 3/16" Fill. Hd.)
	IG-514	Contact Spring Plunger		X-1012	No. 6 Lock Washer
	IG-515	Contact Spring		2X-1375	Breaker Arm Spring Post Nut
4A-11	IG-1460R	Cam and Stop Plate-6 Cyl. R. H.		X-196	No. 10 Lock Washer
4A-12	IG-2742RA1	Drive Shaft and Governor Assy.—R.H.	4A-10	2X-870	Breaker Plate Holding Screw (No. 32 x .5/16" Fill. lid.)
	IG-775	Weight Spring	4A-19	2X-891	Adv. Control Arm Clamp Screw (No. 10-32x1-1/2" Fill. Hd.)
	IG-1456	Weight Assembly		2X-794	Adv. Control Arm Clamp Screw Nut. (No. 10-32 Square)
	IG-1742R	Drive Shaft Assembly		IGA-4058	Distributor Complete (Hudson Part Number 32014)
4A-16	IG-2901	Distributor Base Assembly			
4A-15	10-217	Distributor Cap Spring			
4A-14	IG-352	Distributor Cap Spring Hinge Pin			
	IG-579	Bronze Graplite Bearing			
4A-17	X-490	Oiler			
4A-3	IG-3908	Breaker Plate Assembly			
4A-8	IB-23	Breaker Point Lock Nut			

NOTE:—When ordering parts be sure to use the "A-L No." and not the illustration number which refers only to the illustrations in this catalogue.

AUTO-LITE SYSTEM

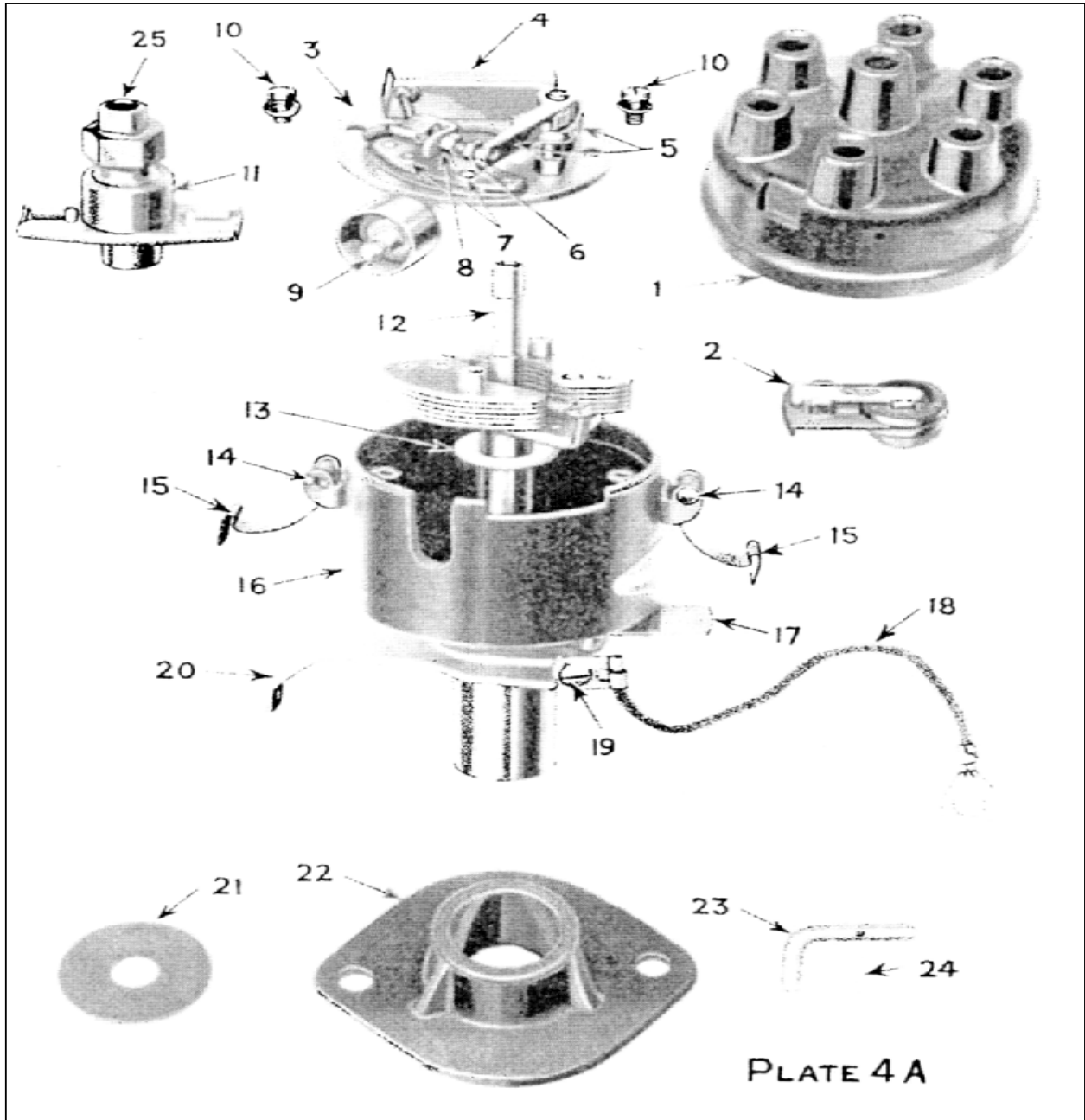
---

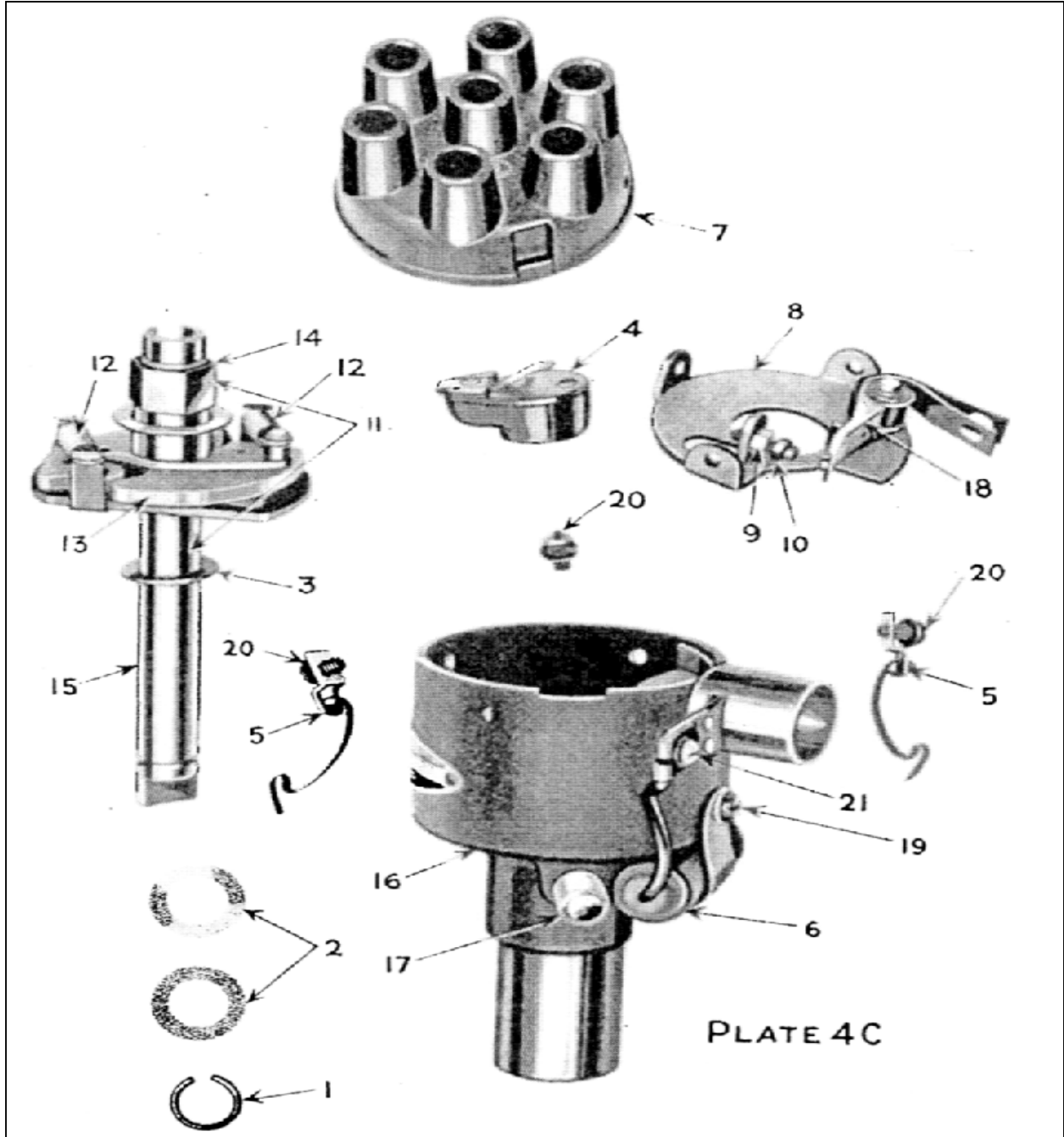
DISTRIBUTOR IGA-4022

Ill. No.	A-L No.	Name of Part	Ill. No.	A-L No.	Name of Part
4C-1	113-39	Lock Spring Ring	4C-13	1013-14	Weight
4C-2	IB-40	Washer---.020" Thick	4C-14	IGB-1032RA	Cam and Stop Plate, 6 Cyl. R. H.
4C-2	IB-41	End Play Washer--.0125" Thick	4C-16	IGB-2108	Distributor Base Assembly
4C-2	IB-106	End Play Washer----.004" Thick		IG-579	Bronze Graphite Bearing
4C-3	IG-90	Thrust Washer	4C-17	X-490	Oiler
	IG-94	Secondary Wire Terminal	4C-18	IGB-3664	Breaker Arm Assembly
4C-4	IGB-1002	Rotor	4C-19	2X-884	Condenser Mounting Screw (No. 8-32 x 3/16 Fill. Hd.)
4C-5	IGB-1007	Dist. Cap Spring and Hinge Assembly			
4C-6	IGB-1025	Condenser Assembly	4C-20	2X-304	Breaker Plate Holding Screw (No. 32 x 5/16" Rd. Hd.)
4C-7	IGB-1031	Distributor Cap Assembly		X-195	No. 8 Lock Washer
4C-8	IGB-2010	Breaker Plate Assembly		2X-302	Condenser Lead Screw (No. 6-32 x 1/4" Rd. Hd.)
4C-9	IB-23	Breaker Point Lock Nut	4C-21		
4C-10	IB-24	Breaker Point Screw		X-194	No. 6 Lock Washer
	IGB-1010	Breaker Plate Part Assembly			
4C-11	IGB-2059RA	Drive Shaft and Governor Assemble			
4C-12	IG-913	Weight Spring		IGB-4022	Distributor Complete (Hudson No. 64415)

NOTE:—When ordering parts be sure to use the "A-L No." and not the illustration number which refers only to the illustrations in this catalogue.

AUTO-LITE SYSTEM





AUTO-LITE SYSTEM

STARTING MOTOR MZ-4014

Ill. No.	A-L No.	Name of Part	Ill. No.	A-L No.	Name of Part
<b>Frame and Field Assembly with Terminal and Parts Used With</b>			Armature Assembly and Parts Used With		
G-20	MU-14	Frame and Field Assembly Terminal	G-11	MU-54	Thrust Washer
G-21	MU-31	Insulating Bushing	G-12	MZ-2068	Armature Complete Assembly
G-23	MU-32	Insulating Washer—Outer		X-258	No- 3 Woodruff Key
G-24	MU-37	Insulating Washer—Inner			Miscellaneous Parts
G-22	MU-39	Terminal Post		EB-54	Bendix Drive
G-31	MZ-28	Pole Piece	411-6	EB-5411	Shaft and Pinion Assembly
	MZ-29	Field Connection Insulator	411-5	ER-2806	Drive Spring
	MZ-30	Field Coil Connector	411-1	EB-507	Shaft Spring Screw (Short)
G-32	MZ-32	Pole Piece Screw	411-2	EB-508	Lock Washer
G-16	MZ-38	Field Coil—Upper Left	411-4	EB-2207	Lead Spring Screw (Lone)
G-27	MZ-1007	Field Coil with Brush--Lower Right	411-3	2203-2203	Drive Head
G-30	MZ-1008A	Brush		MZ-1024	Head Band Assembly
G-10	MZ-12	Field Coil with Brushy -Lower Lower Left	111-7	MZ-1069	Drive End Head Assembly
G-29	MZ-1009B	Field Coil—Upper Right		MZ-44	Bronze Graphite Bearing 1/32" Wall
G-28	MZ-1010	Terminal Nut (5/16" x 24")	or	MZ-44A	Bronze Graphite Bearing 1/16" Wall
G-25	X-180	5/16" Lock Washer	111-8	X-62	Drive End Head Holding Screw (No. 10-32 X 3/8" Flat Head)
G-26	X-1014			6X-141	Head Band Nut (No. 8-32)
<b>Commutator End Plate Assembly and Parts Used With</b>				6X-1010A	head Band Screw (No. 8-32x1-1/4")
G-1	MAB-1064	Bearing Cover	G-13	MU-2208S	Starting Switch Assembly
G-2	MZ-2002	Comm. End Plate Assembly	G-14	6X-312	Switch Mounting Screw (No- 10-32 x 1/4 Rd- lid.)
G-3	MZ-16	Brush Holder		X-196	Switch Mounting Screw Lock Washer No- 10
G-4	MZ-19	Brush Spring	G-15	X-1014	Switch Terminal Nut Lock Washer-- 5/16"
G-5	MZ-40	Bronze Graphite Bearing	G-18		
G-6	MZ-1034	Brush Assembly—Grounded	G-19	6X-832	Switch Terminal Nut (5/16"-24)
G-9	X-1262	Rivet		MZ-4014	Starting Motor Complete with Bendix (Hudson No. 64417)
G-7	X-544	No. 10 Lock Washer			
G-8	X-902	End Plate Holding Screw (No. 10-32 x 3/8")			

NOTE:—When ordering parts be sure to use the "A-L No." and not the illustration number which refers only to the illustrations in this catalogue.

AUTO-LITE SYSTEM

